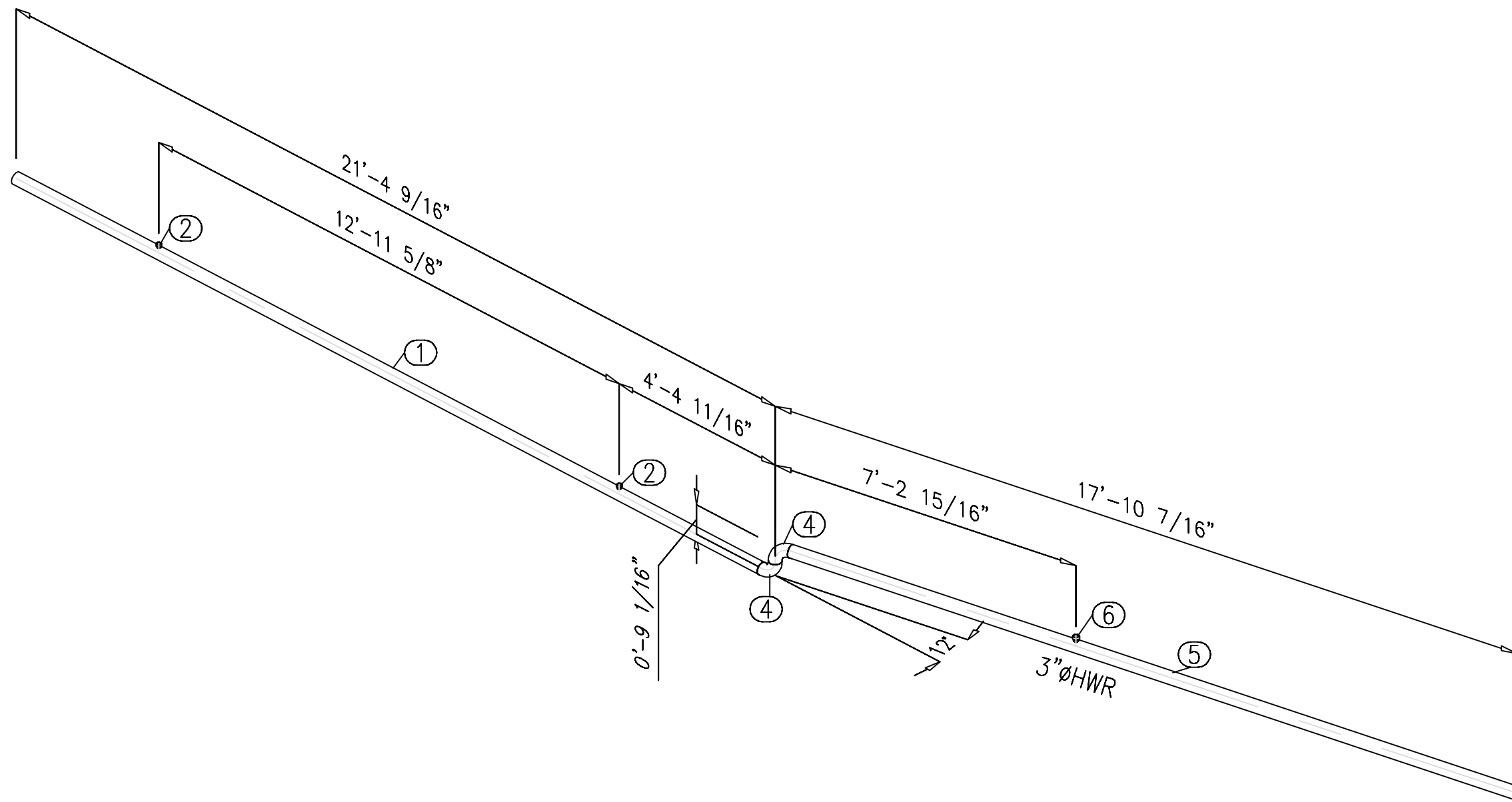
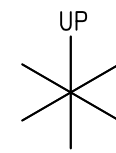


BILL OF MATERIALS				
ITEM	Qty	SIZE	DESCRIPTION	Length(ft)
1	1	3	A53 ERW Sch 40 Blk PE	21'-0"
2	2	3/4x3	Figure Full Anvilet (Thread 0 Let)	
4	2	3	Long Radius 90	
5	1	3	A53 ERW Sch 40 Blk PE	17'-5 7/8"
6	1	1x3	Figure Full Anvilet (Thread 0 Let)	



WELD REPORT FULL		
PIPE SIZE	WELDS	DIA INCHES
3.0	3	9.00
	3	9.00

--

FABRICATION SHOP NOTES		FAB HOURS:	
CC/PHASE		NAME	
CUTTING		DATE/COMP	
WELDING		WELD PROC.	
SHIPPING		QA BY	

REV#	DATE	REVISION DESCRIPTION	BY
0	06/10/2010	FOR FABRICATION	

PROJECT	
PIPE SERVICE	SCALE N.T.S.
REF. DWGS	DRAWN BY PIS
JOB NUMBER	SPOOL NUMBER
DATE	